

Features and Benefits

The PowerCat 5e DataGate jack is designed to maintain clean secure connections. The RJ-45 jack features a patented 'spring-loaded shutter' which protects it from dust and contaminants as well as provides tactile feedback – the spring-loaded shutter pops out an improperly seated patch cord—all with single-handed plug-in and removal.

DataGate jacks utilise patented IDC V-shaped contacts that flex not fatigue when terminated and is uniquely designed to allow for rear and side entry cable termination. The provision of side entry termination ensures bend radius is maintained in installations where there is limited space - optimising the performance of your Enhanced Category 5 solution.

- **Patented Spring-Loaded Shutter:**
 - prevents incomplete mating
 - protects from dust and contaminants
- **Patented IDC V-shaped contacts** that flex not fatigue when terminated
- **Features pointed IDC towers** to speed termination and enhance cable retention
- **Dual colour-coding** allows for 568 A/B wiring configuration
- **Can be terminated** using industry standard punch down tools
- **RJ-11 & RJ-12 compatible**
- **Molded category identification** on jack face as well as optional port identification icons

Commercial Standards

TIA/EIA-568-B.2-1 Component Compliant
 FCC Subpart F 68.5 Compliant
 IEC-603-7 Compliant
 ISO 11801 Class E Compliant

Pending Approvals
 UL-1863
 CSA

Technical Information

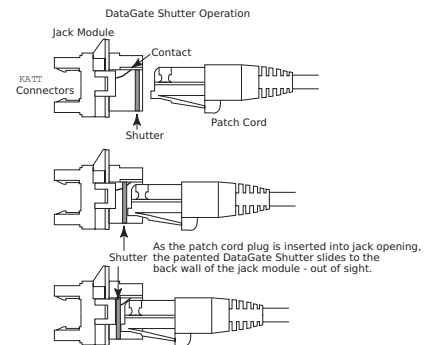
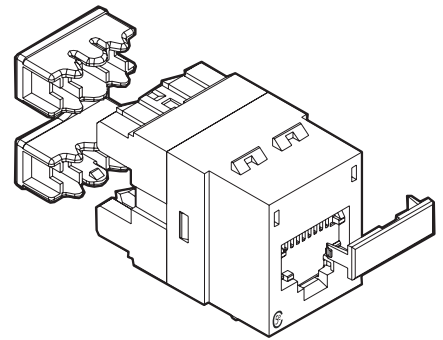
Mechanical Characteristics

Jack Connector
 Plastic Housing: Polycarbonate, UL94V-0 rated or equivalent
 Operating Life: Minimum 750 insertion cycles
 Contact Material: Copper Alloy
 Contact Plating: 50µ" Gold/100µ" Nickel
 Contact Force: 100g minimum
 Plug Retention Force: 15 lb.

IDC Connector
 Plastic Housing: Polycarbonate, UL94V-0 rated or equivalent
 Operating Life: Minimum 200 reterminations
 Contact Material: Copper Alloy
 IDC Contact Plating: Tin/Lead Plate
 Contact Force: 100g minimum
 Wire Accommodation: 22-24 AWG solid

Electrical/Optical Characteristics

Interface Resistance: 20 milliohms
 Initial Contact Resistance: 2.5 milliohms
 Insulation Resistance: >100 Megaohms
 Dimensions (mm): 23.9(H) x 17.8(W) x 32.3(D)
 Shipping Weight: 14g



ORDERING INFORMATION

Order No.	SAP No.	Description
KSJ-00024-**	Consult Molex	PowerCat 5e DataGate Jack 8W 568A/B
Accessories		
CSP-00021-**	Consult Molex	Blank 6-Pack Icons (Bag of 10)
CSP-00022-**	Consult Molex	Data 6-Pack Icons (Bag of 10)
CSP-00023-**	Consult Molex	Voice 6-Pack Icons (Bag of 10)

DataGate Colours - Replace the (**) in the part number with one of the following: 01 = Almond, 02 = White, 04 = Black, 05 = Ivory, 08 = Light Grey, RD = Red, BL = Blue, GR = Green, YL = Yellow, RG = Orange, PP = Purple

MOLEX PREMISE NETWORKS

Americas
 Tel: 630 969 4550
 www.molexpn.com

EMEA
 Tel: 44 (0)2392 205800
 www.molexpn.co.uk

APAC
 Tel: 61 3 9971 7111
 www.molexpn.com.au