

Features and Benefits

The DataGate jack is designed to maintain clean secure connections. The RJ-45 jack features a patented 'spring-loaded shutter' which protects it from dust and contaminants as well as provides tactile feedback - the spring-loaded shutter pops out an improperly seated patch cord—all with single-handed plug-in and removal. DataGate jacks utilize patented IDC V-shaped contacts that flex not fatigue when terminated.

The DataGate jack is engineered for use across a broad range of Molex products.

- **Patented Spring-Loaded Shutter:**
 - prevents incomplete mating
 - protects from dust and contaminants
- **Patented IDC V-shaped contacts** that flex not fatigue when terminated
- **Features pointed IDC towers** to speed termination and enhance cable retention
- **Dual color-coding** allows for 568 A/B wiring configuration
- **Can be terminated** using industry standard punch-down tools
- **RJ-11 compatible**
- **Molded category identification** on jack face as well as optional port identification icons
- **USOC Wiring Sequences Available**
- **RoHS Compliant**

Commercial Standards

TIA/EIA-568-C.2:2009 cat.6,
EN 50173-1:2011 Class E, ISO/IEC 11801:2010 (Ed 2.2) Class E, FCC Subpart F68.5
UL listed

Technical Information

Mechanical Characteristics

Jack Connector
 Plastic Housing: Thermoplastic UL94V-0 rated or equivalent
 Operating Life: Minimum 750 insertion cycles
 Contact Material: Copper Alloy
 Contact Plating: 50µ" Gold/100µ" Nickel
 Contact Force: 100g minimum
 Plug Retention Force: 11 lbf minimum

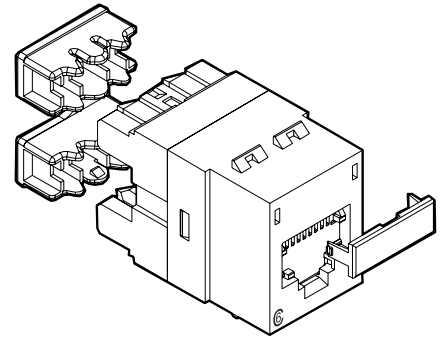
IDC Connector
 Plastic Housing: Thermoplastic UL94V-0 rated or equivalent
 Operating Life: Minimum 20 reterminations
 Contact Material: Copper Alloy
 IDC Contact Plating: Tin matte finish
 Wire Accommodation: 22-24 AWG solid

Electrical/Optical Characteristics

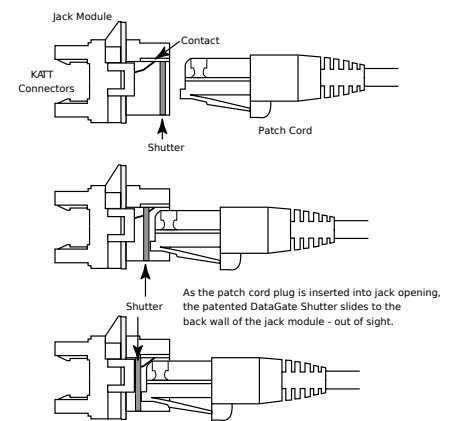
Interface Resistance: 20mΩ
 Initial Contact Resistance: 2.5mΩ
 Insulation Resistance: >100 Megohms

Dimensions:
 23.9mm x 17.8mm x 32.3mm
 (.94"H x .70"W x 1.27"D)

Shipping Weight: 14g (.5 oz.)



DataGate Shutter Operation



ORDERING INFORMATION

Order No.	SAP No.	Description
KSJ-00018-02	Consult Molex	DataGate Jack Category 6 8W 568A/B - White
KSJ-00018-04	Consult Molex	DataGate Jack Category 6 8W 568A/B - Black

MOLEX CONNECTED ENTERPRISE SOLUTIONS

Americas
 Tel: 630 969 4550
 www.molex.com

EMEA
 Tel: 44 (0)2392 205800
 www.molex.co.uk

APAC
 Tel: 61 3 9971 7111
 www.molex.com.au