



PowerCat 6 ABB Tango Modules

Features and Benefits

Molex Premise Networks Tango modules was designed to be compatible with original ABB Tango wallplates.

The Product family consists of Single and Double port shuttered modules with unique stuffer caps.

Individual ports may be colour coded for site-specific network administration, by fitting connector icon labels. The ABB Tango modules feature the DataGate IDC includes a unique integral shutter that not only protects the connector from dust and contaminants, but the ingenious spring-loaded design also ejects improperly seated patch cords. The DataGate Plus connector is dual colour coded for either 568A or 568B wiring schedules and is RJ11 compatible.

Suitable for high-speed data transmission, the DataGate Plus Category 6 connector has been designed to exceed the highest electrical performance standards in the industry and has been independently tested and verified by ETL SEMKO for Category 6 component compliance. The DataGate Plus connector is also backwards compatible with CSE systems.

- Compatible with ABB Tango wallplates
- Single and Double Port
- Shuttered RJ45 DataGate Plus Module
- Stuffer Caps included
- Independently tested

Compliant With

TIA/EIA-568-B.2-1, FCC Subpart F 68.5, ISO 60603-7, ISO 11801:2002, EN 50173:2002

Approvals

- UL-1863 (Pending)
- CSA (Pending)
- ETL Verified for Category 6 Component Compliance

Technical Information

Mechanical Characteristics

Jack Connector

Plastic Housing: Polycarbonate, UL94V-0 rated or equivalent
 Operating Life: Minimum 750 insertion cycles
 Contact Material: Copper Alloy
 Contact Plating: 1.25 micrometres Au/Ni
 Contact force: 100g minimum
 Plug Retention Force: 6.8kg

IDC Connector

Plastic Housing: Polycarbonate, UL94V-0 rated or equivalent
 Operating Life: Minimum 200 reterminations
 Contact Material: Copper Alloy
 IDC Contact Plating: Tin/Lead Plate
 Contact force: 100g minimum
 Wire accommodation: 22-24 AWG solid

Electrical Characteristic

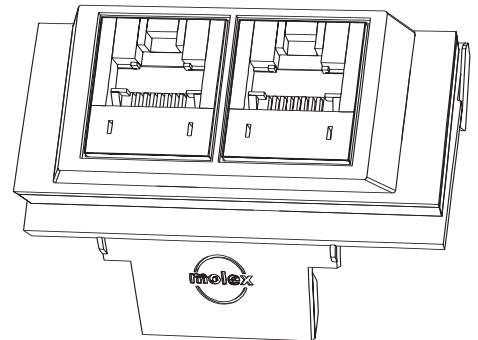
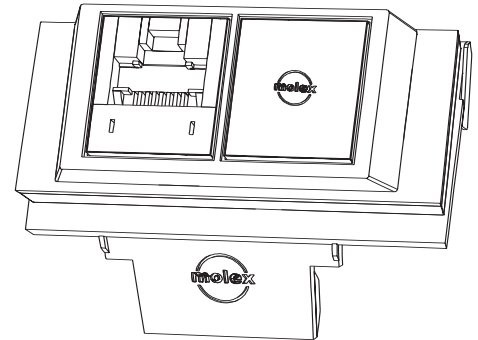
Interface Resistance: 20 mΩ
 Initial Contact Resistance: 2.5 mΩ
 Insulation Resistance: > 100 MΩ

Dimensions

Single / Double Port: 59x47x31mm
 Termination Tool: 110

Shipping Weight

Single Port: 240g (Pack of 10)
 Double Port: 180g (Pack of 10)



All trademarks are the property of their respective owners.

Order No.	Description
MCZ-00001-04	Module ABB Tango DataGate Plus RJ45 568A/B C6 1 Port, Black
MCZ-00002-04	Module ABB Tango DataGate Plus RJ45 568A/B C6 2 Port, Black
CSP-00021-**	Blank 6-Pack Icons (Bag of 10)
CSP-00022-**	Data 6-Pack Icons (Bag of 10)
CSP-00023-**	Voice 6-Pack Icons (Bag of 10)



Insert colour code in place of ** in part number when ordering PowerCat 6 Accessories:

01 = Almond, 02 = White, 04 = Black, 05 = Ivory, 08 = Light Grey, RD = Red, BL = Blue, GR = Green, YL = Yellow, RG = Orange, PP = Purple

MOLEX PREMISE NETWORKS

**Molex Premise Networks
Corporate Headquarters**
Tel. +1 603-324-0200
www.molexpn.com

Western Europe Headquarters
Tel. +44 (0) 1489 572 111
www.molexpn.co.uk

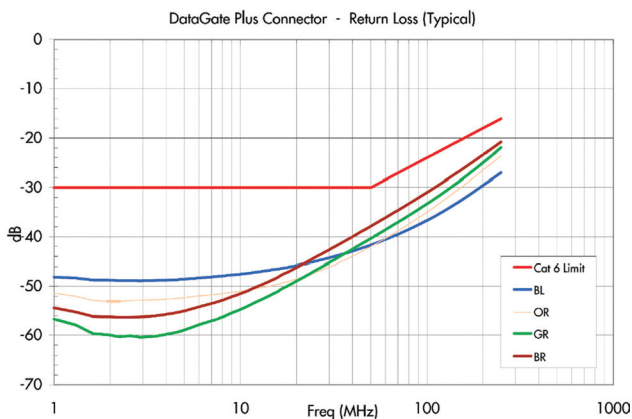
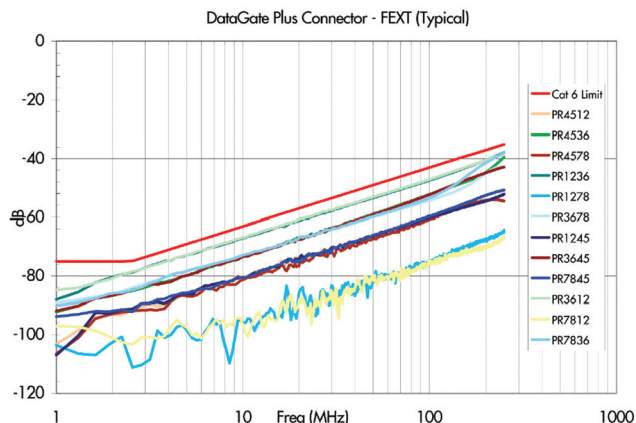
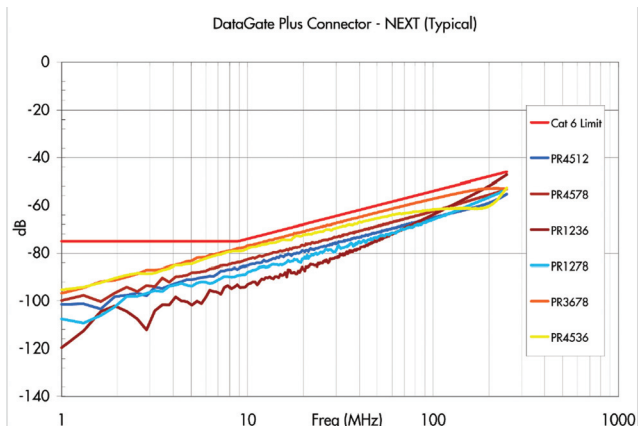
Eastern Europe Headquarters
Tel. + 48 22 326 07 20
www.molexpn.com.pl

Pac-Rim Headquarters
Tel. + 61 3 9747 8322
www.molexpn.com.au

Molex Incorporated
Tel. 630 969 4550
www.molex.com



**PowerCat 6
ABB Tango Modules**



DataGate Plus Worst Case (dB)								
Frequency (MHz)	NEXT		FEXT		Return Loss		Insertion Loss	
	SPEC	MOLEX	SPEC	MOLEX	SPEC	MOLEX	SPEC	MOLEX
1	-75.0	-95.3	-75.0	-84.9	-30.0	-48.1	-0.10	-0.02
4	-75.0	-85.3	-71.1	-75.0	-30.0	-48.8	-0.10	-0.02
8	-75.0	-79.1	-65.0	-68.9	-30.0	-47.9	-0.10	-0.02
10	-56.1	-77.2	-63.1	-67.1	-30.0	-46.7	-0.10	-0.02
16	-69.9	-73.0	-59.0	-62.9	-30.0	-43.1	-0.10	-0.02
20	-68.0	-70.8	-57.1	-60.8	-30.0	-41.3	-0.10	-0.02
25	-66.0	-68.9	-55.1	-59.1	-30.0	-39.3	-0.10	-0.02
31.25	-64.1	-67.2	-53.2	-57.2	-30.0	-37.4	-0.11	-0.02
62.5	-58.1	-61.1	-47.2	-51.4	-28.0	-31.2	-0.16	-0.03
100	-54.0	-57.3	-43.1	-47.2	-24.0	-26.9	-0.20	-0.05
200	-48.0	-50.7	-37.1	-40.5	-18.0	-20.2	-0.28	-0.07
250	-46.0	-48.7	-35.1	-38.0	-16.0	-18.2	-0.32	-0.09

NOTE:
Performance values shown in dB.
For NEXT, FEXT and Return Loss: the higher the negative value the better the performance (e.g. -73.0 better than -69.9)
For Insertion Loss: the lower the negative value the better the performance (e.g. -0.02 better than -0.10)

MOLEX PREMISE NETWORKS

Molex Premise Networks
Corporate Headquarters
Tel. +1 603-324-0200
www.molexpn.com

Western Europe Headquarters
Tel. +44 (0) 1489 572 111
www.molexpn.co.uk

Eastern Europe Headquarters
Tel. + 48 22 326 07 20
www.molexpn.com.pl

Pac-Rim Headquarters
Tel. + 61 3 9747 8322
www.molexpn.com.au

Molex Incorporated
Tel. 630 969 4550
www.molex.com